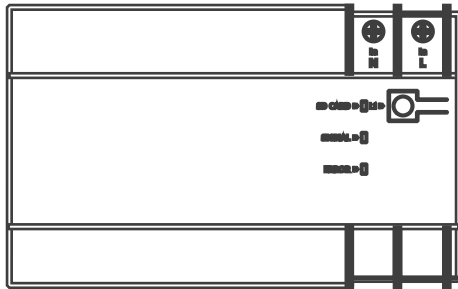


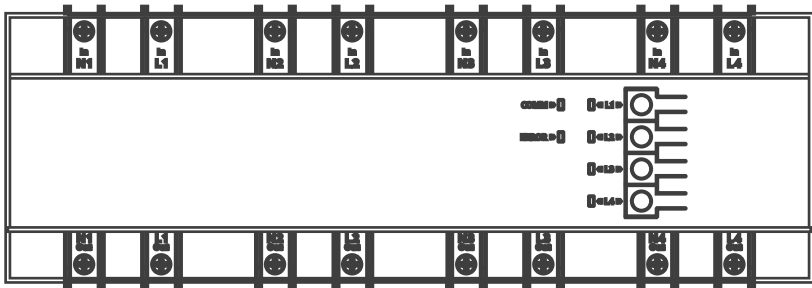


# DIY SPM

## Quick Guide V1.0



**SPM-Main**

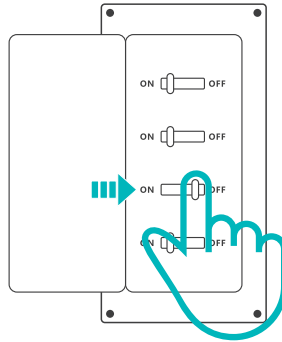


**SPM-4Relay**

## Smart Stackable Power Meter

SPM-Main and SPM-4Relay are the main unit and slave unit of SONOFF smart stackable power meter, and both are designed to work together. You can control the added slave unit in App through pairing the main unit with eWeLink App.

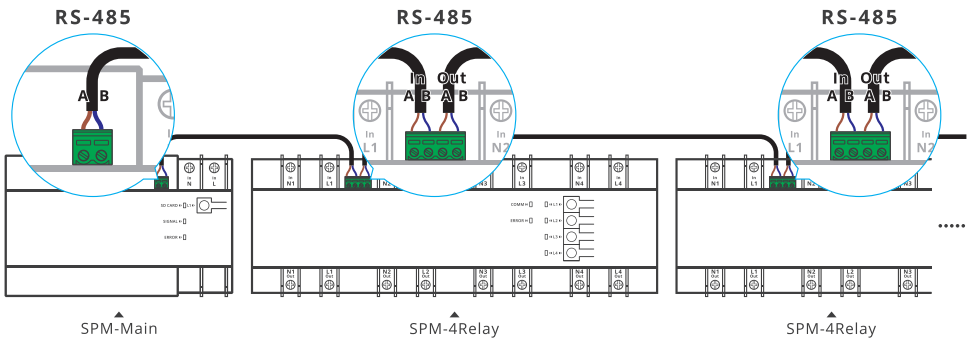
## ① Power off



Please install and maintain the device by a professional electrician. To avoid electric shock hazard, do not operate any connection or contact the terminal connector after plugging in!

## ② Wiring instruction

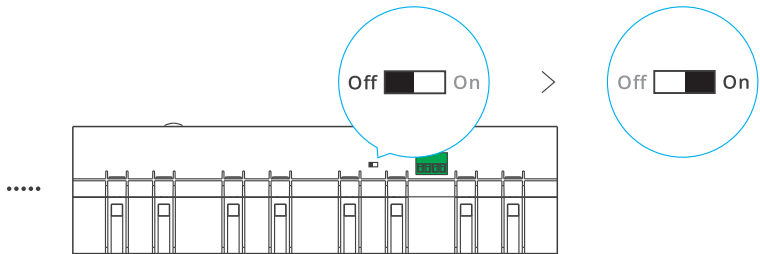
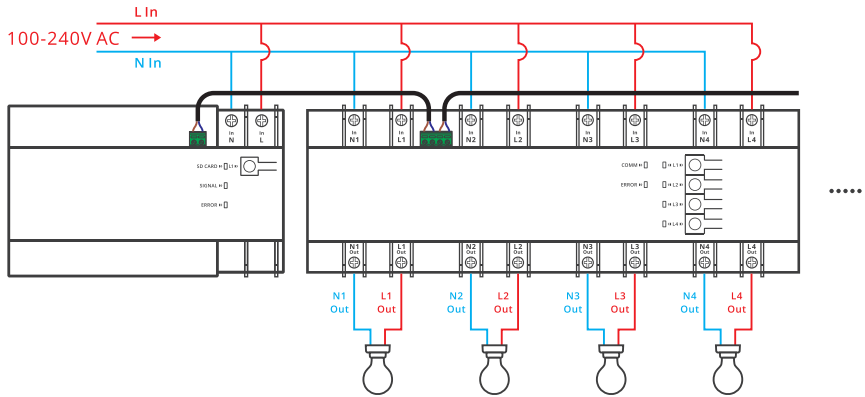
Wiring instruction of main & main unit, slave & slave unit.



The main unit can be added up to 32 slave units (The total wire length should be less than 100M).

The wire connected to the main unit and slave unit must be 2-core RVVSP cable with single wire diameter of 0.2mm<sup>2</sup>.

## Light fixture wiring instruction



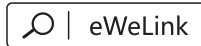
The "RS-485 termination resistor switch" of the slave unit is off by default. To make sure stable communication, the "RS-485 termination resistor switch" of the last slave unit is required to turn on.

The slave unit has 4 channels and the channel 1 (L1 In and N1 In) is used to power the slave unit on, which means the slave unit can work normally when the L1 and N1 is connected the power supply. Each input terminal has a single output terminal that the output terminal only provides the power when the corresponding input terminal is connected to the power supply.

Ensure wiring is correct before power the units on.

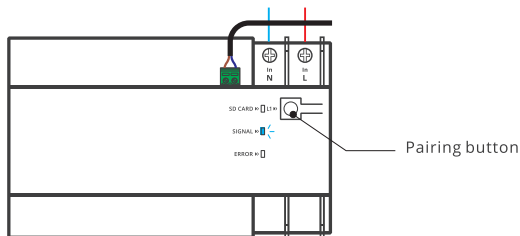
3

Download the eWeLink App



4

Power on

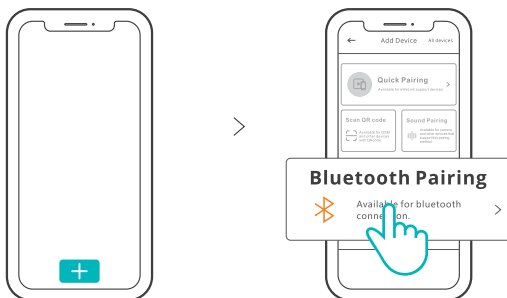


After powering on, the device will enter the Bluetooth Pairing Mode during the first use. The Wi-Fi indicator flashes quickly.

The device will exit the Bluetooth Pairing Mode if not paired within 3mins. If you want to enter this mode, please long press the pairing button for about 5s until the Wi-Fi LED indicator flashes quickly and relea

5

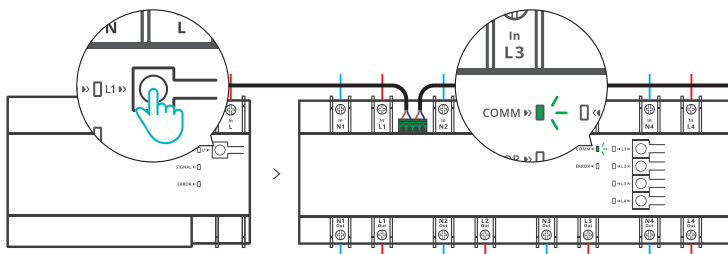
## Add the device



Tap “+” and select “Bluetooth Pairing”, then operate following the prompt on the App.

6

## Add the slave unit to the main unit



Press the pairing button on the main unit once to enable it enter the scan status, then the LED signal indicator of the slave unit “flashes slowly”. The slave unit will appear in the list of main unit interface on the eWeLink App as a sub-device after being added to the main unit.

The slave unit has not been scanned successfully within 20s, the main unit will exit the scan status. If you want to scan the slave unit again, you can press the pairing button on the main unit once again.

# User Manual



<https://sonoff.tech/usermanuals>

Scan the QR code or visit the website to learn about the detailed user manual and help.

## FCC Warning

Changes or modifications not expressly approved by the party responsible for compliance could avoid the user's authority to operate the equipment.

This device complies with part 15 of the FCC Rules. Operation is subject to the following two conditions: (1) This device may not cause harmful interference, and (2) this device must accept any interference received, including interference that may cause undesired operation.

### **FCC Radiation Exposure Statement:**

This equipment complies with FCC radiation exposure limits set forth for an uncontrolled environment. This equipment should be installed and operated with minimum distance 20cm between the radiator & your body. This transmitter must not be co-located or operating in conjunction with any other antenna or transmitter.

### **Note:**

This equipment has been tested and found to comply with the limits for a Class B digital device, pursuant to part 15 of the FCC Rules. These limits are designed to provide reasonable protection against harmful interference in a residential installation. This equipment generates, uses and can radiate radio frequency energy and, if not installed and used in accordance with the instructions, may cause harmful interference to radio communications. However, there is no guarantee that interference will not occur in a particular installation. If this equipment does cause harmful interference to radio or television reception, which can be determined by turning the equipment off and on, the user is encouraged to try to correct the interference by one or more of the following measures:

- Reorient or relocate the receiving antenna.
- Increase the separation between the equipment and receiver.
- Connect the equipment into an outlet on a circuit different from that to which the receiver is connected.
- Consult the dealer or an experienced radio/TV technician for help.

Hereby, Shenzhen Sonoff Technologies Co., Ltd. declares that the radio equipment type SPM-Main, SPM-4Relay are in compliance with Directive 2014/53/EU. The full text of the EU declaration of conformity is available at the following internet address:

<https://sonoff.tech/usermanuals>

# SONOFF

**Shenzhen Sonoff Technologies Co., Ltd.**

1001, BLDG8, Lianhua Industrial Park, shenzhen, GD, China  
ZIP code: 518000 Website: sonoff.tech

MADE IN CHINA

