


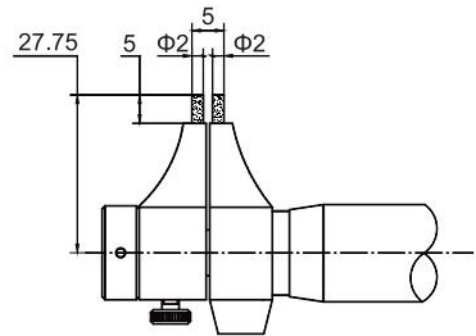
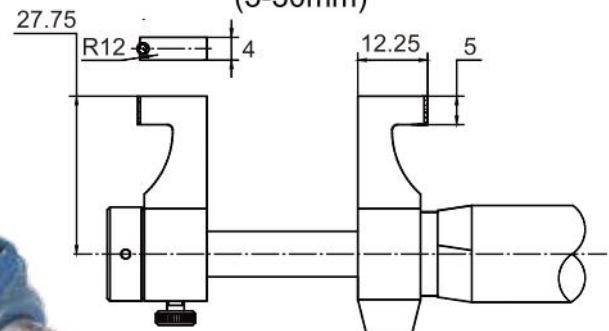


DIGITAL INSIDE MICROMETER

- 
 - Strictly made in accordance with DIN863
 - For easy and rapid measurement of various inside dimensions
- 
 - LCD display with clear reading, metric/inch conversion
 - Zero setting at any position
- 
 - Clamp wheel for quick and precise fixing
 - With ratchet for constant measuring pressure
 - Incl. 1x 1.5V battery



(5-30mm)



(Over 25mm)



Unit:mm

Code	Range	Resolution	Accuracy
4910-4105	5-30/0.2"-1.2"	0.001/0.00005"	±0.003
4910-4110	25-50/1"-2"	0.001/0.00005"	±0.003
4910-4115	50-75/2"-3"	0.001/0.00005"	±0.004
4910-4120	75-100/3"-4"	0.001/0.00005"	±0.004