

DIGITAL DEPTH CALIPER

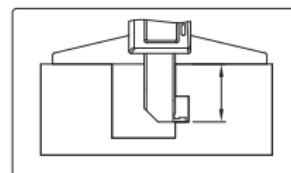
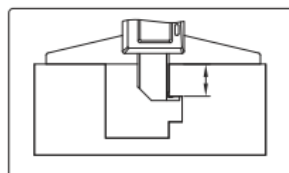
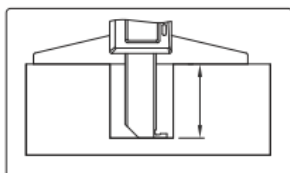
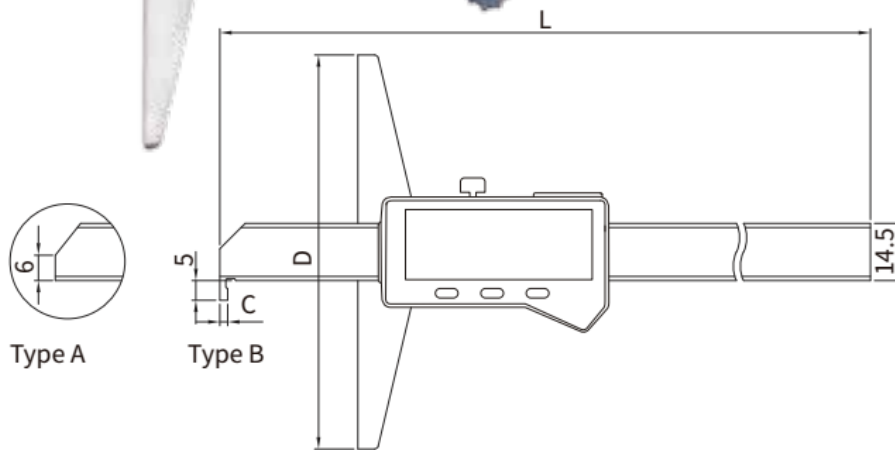
WITH BAR



DIN 862

mm / in

Data output



- Used to measure step and depth



- Made of solid stainless steel, widened and thickened



- Strictly made in accordance with DIN862

- Hardened, ground and lapped measuring surfaces for longer service life

Unit:mm

Code	Range	Resolution	A	C	L	Style	Accuracy
2001-2005	0-150/0-6"	0.01/0.0005"	100	/	230	Type A	±0.03
2001-2010	0-200/0-8"	0.01/0.0005"	100	/	280	Type A	±0.03
2001-2015	0-300/0-12"	0.01/0.0005"	100	/	380	Type A	±0.04
2001-1005	0-150/0-6"	0.01/0.0005"	100	2	230	Type B	±0.03
2001-1010	0-200/0-8"	0.01/0.0005"	100	2	280	Type B	±0.03
2001-1015	0-300/0-12"	0.01/0.0005"	100	2	380	Type B	±0.04