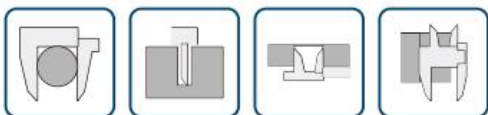


MINI DIGITAL CALIPER



01

02

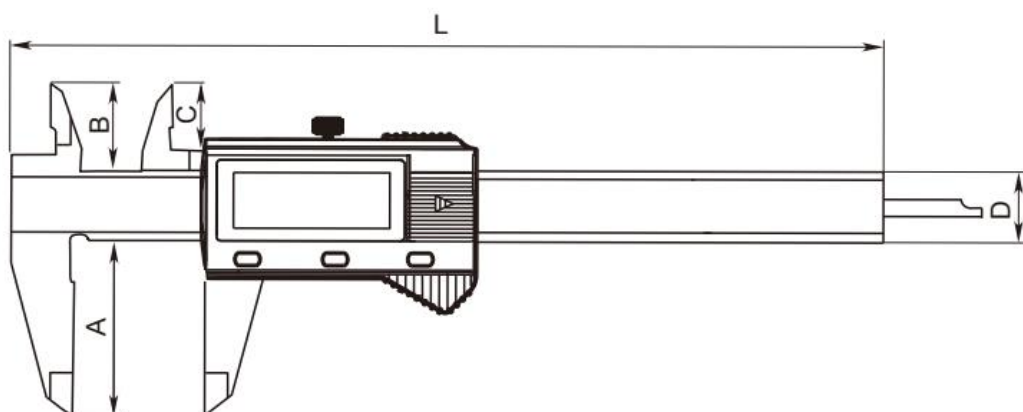
03



04

**DIN
862**

mm
/ in

Battery
+
LR44



-  • Mini model for great portability
- | • Made of solid stainless steel
-  • Strictly made in accordance with DIN862

Unit:mm

Code	Range	Resolution	A	B	C	D	L	Accuracy
2050-0005	0-100/0-4"	0.01/0.0005"	30	17	12	13	170	0.02/0.001"