


Please read this manual carefully before use!

Safety and Maintenance

 Warning: This product is a Multifunctional Articulating Borescope camera and is not intended for medical use or human examination.

- Striking or dropping the camera may cause damage to the device. Pulling the cable could also damage the device.
- When used in an environment with sharp edges, please use it carefully to prevent the waterproof protective layer of the probe from being scratched.
- The camera probe is not made of heat-resistant materials. When checking an automobile engine, please ensure that the temperature in the engine drops to normal temperature.
- When not in use, please ensure that the lens and the main unit are clean and dry, and avoid contact with oils or any corrosive or dangerous substances.
- This product is not suitable for people with limited physical, sensory or mental abilities.
- Do not allow children to touch and operate this device.

Battery Instructions

- Please use a 5V household charger that meets the safety regulations to charge the equipment. Fast charging is not supported.
- This device supports charging while using.
- If the device is not used for a long time, please ensure that it is charged at least once every 3 months to prevent irreparable damage caused by excessive discharge of the battery.

Functions

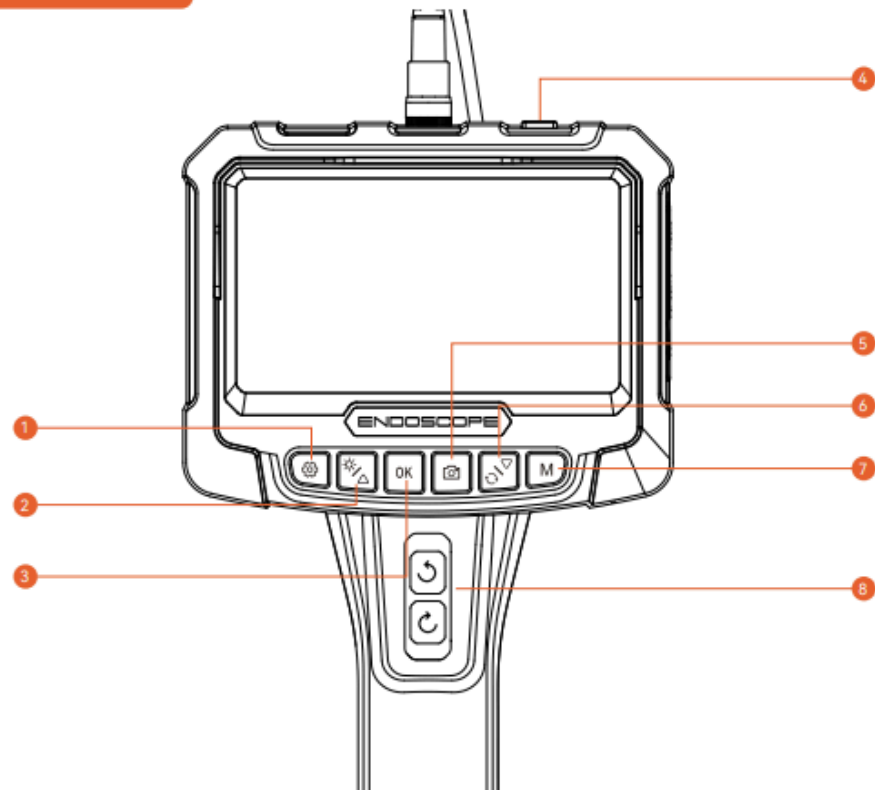
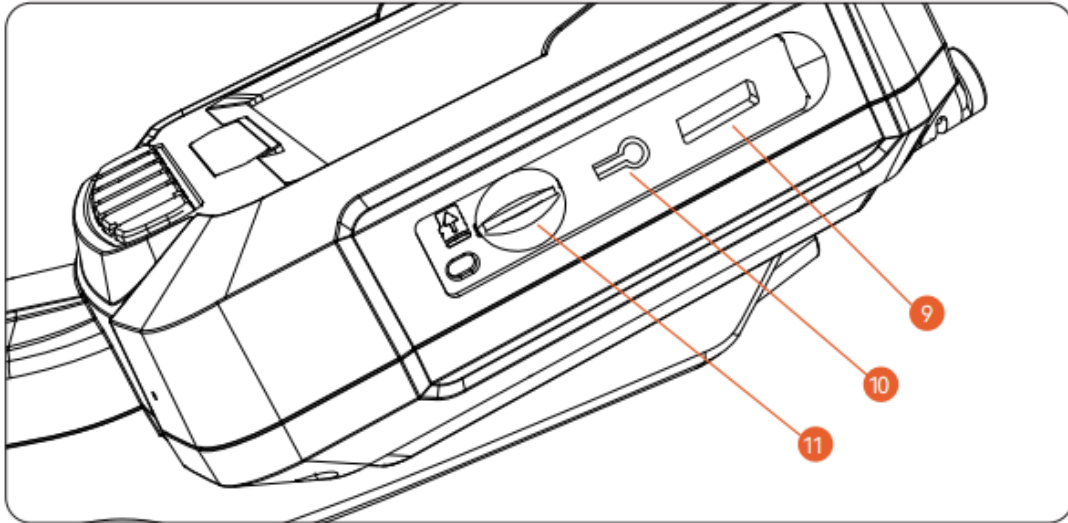


Table 1. Multi-function buttons

BUTTON LABEL	PHOTO MODE	VIDEO MODE	ALBUM MODE
1	Enter/Exit Settings Menu	Enter/Exit Settings Menu	Delete/Protect
2	Adjust LED brightness/ Long press the screen to zoom	Adjust LED brightness/ Long press the screen to zoom	Move left/View function/ Video rewind
3 OK	Freeze/Unfreeze Image	Freeze/Unfreeze Image	Confirm Selection
4	Press and hold for 3 seconds to turn on/off		
5	Short press to take a picture/ If it is dual lens: long press to switch cameras	Short press to begin/ end recording	N/A
6	Flip camera view	Flip camera view	Move right/View function/ Video fast forward
7 M	Switch between 3 modes: Photo /Video / Album		
8	Steering Control Knob		



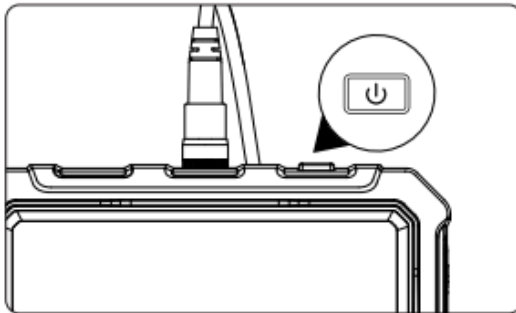
9 Charging interface

10 Reset

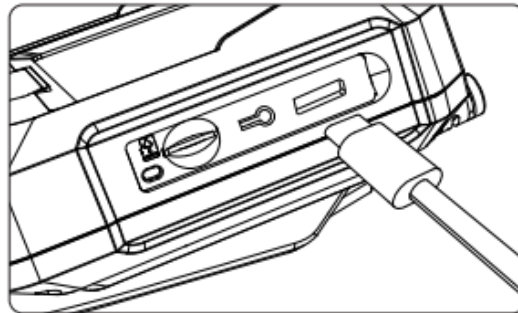
11 Micro SD card slot

Instructions

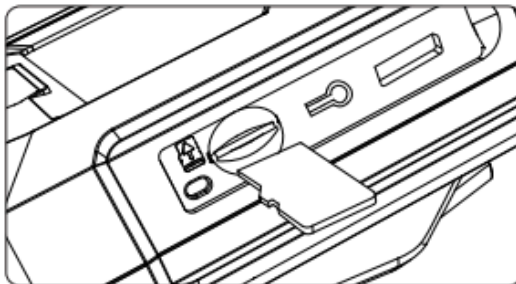
Press and hold "⏻" for 3 seconds to power on / off



Use the type-C charging cable to charge the device

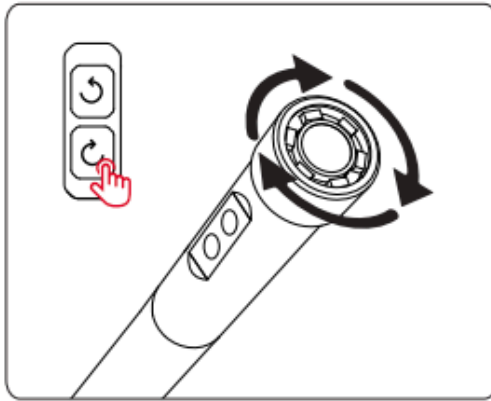


Insert Micro SD card



⚠ Insert Micro SD card:

- Please insert the Micro SD card while the device is powered off.
- Please pay attention to the insertion direction and ensure front and back sides of Micro SD card are oriented correctly (see image).
- Do not use excessive force when inserting or pulling out the Micro SD card to prevent damage to the card slot.



Camera rotation

You can press and hold the "↺" button and the camera can rotate 350 degrees counterclockwise and then stop, and press and hold the "↻" button and the camera can rotate 350 degrees clockwise and then stop. If you short press, you can adjust the direction of the camera at will, so that you can let the side camera detect every corner, and the front camera can adjust the imaging angle to have the best viewing angle.

Language Settings

The default language is English, and the system also supports Simplified Chinese, Japanese, English, Korean, French, German, Italian, Spanish, Russian, Polish

- ① Press "⚙️" button to enter the settings page
- ② Select the language setting
- ③ Press the up and down button to select the desired language
- ④ Press "OK" to save

Enter the Picture Interface



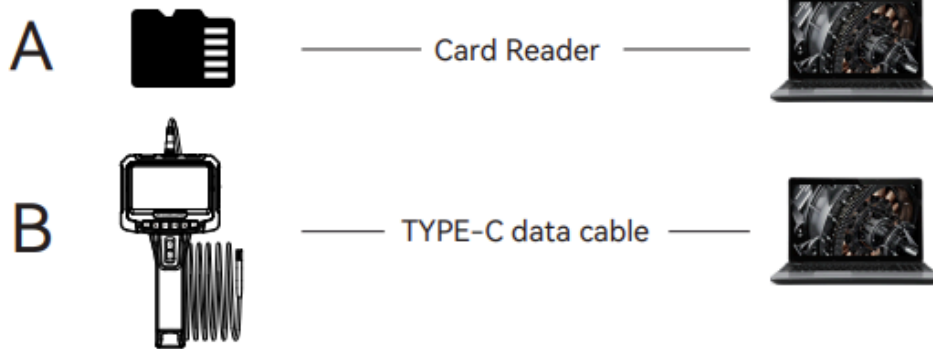
Press "M" to switch to take photo or video, press "📷" to take photo or video.



Press "M" to switch to photo album viewing, select the photo or video that you want to view, press "⚙️" to delete the photo or video.

Copy Picture and Video Files

Users may use a Micro SD card to copy directly, or use a Type-C cable to copy to computer.



When operating the copy function, if the machine is not connected to the computer, please restart the machine or plug and unplug the TYPE-C data line. Do not plug and unplug the TYPE-C data cable during the data transmission process, which will cause the data transmission to fail.

Charging Guide

1. Connect the device to the Type-C USB adapter for charging (5V==1A/5V==2A). The product does not support fast charging.
- 2.(1) During the charging process, the power symbol indicates that the charging is in progress;
(2) When the device is fully charged, the power display shows the full state.

FAQ

1.Lag time is normal during photo output.

Please check whether the product has sufficient power, or restart the device, or reassemble the flexible conduit if lag continues.

2.Product crashes, does not output a picture or the screen turns black.

Please press the device reset button to restart your device.

3.Imaging screen is not clear.

The best imaging focal length of the product is: 2cm-10cm. Please calibrate the distance to the object, or clean the front of the camera with a clean alcohol cloth.

4.Product charging.

Please use 5V=1A/5V=2A charger to charge the device. The product does not support fast charging.

5.The camera is hot.

It is normal for the camera to heat up, especially when the camera LED light is on at the highest brightness. But it does not affect normal use or service life.

6.Micro SD card can not be recognized.

Please confirm whether the Micro SD format is FAT32. If not, please format it and plug and unplug the Micro SD card again.

EU Environmental Protection

Waste electrical products should not be disposed of with household waste. Please recycle where facilities exist. Check with your local authority or retailer for recycling recommendations.

Specifications

Product name: Industrial endoscope
Screen size: 5.0 inches
Sensor: CMOS
Lumen: 24lm
Focal length range: 2-10cm
Waterproof grade: IP67
Charging: 5V/1A (5V/2A)
Field of view: 70 degrees
Camera temperature: 33.8°F-176°F
Working temperature: 33.8°F-113°F
Charging time: 2.5 hours
Battery life: 3 hours
Charging interface: TYPE-C
Resolution: 1920*1080