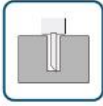


MONOBLOCK VERNIER CALIPER

WITH AUTO-LOCKING



01



02

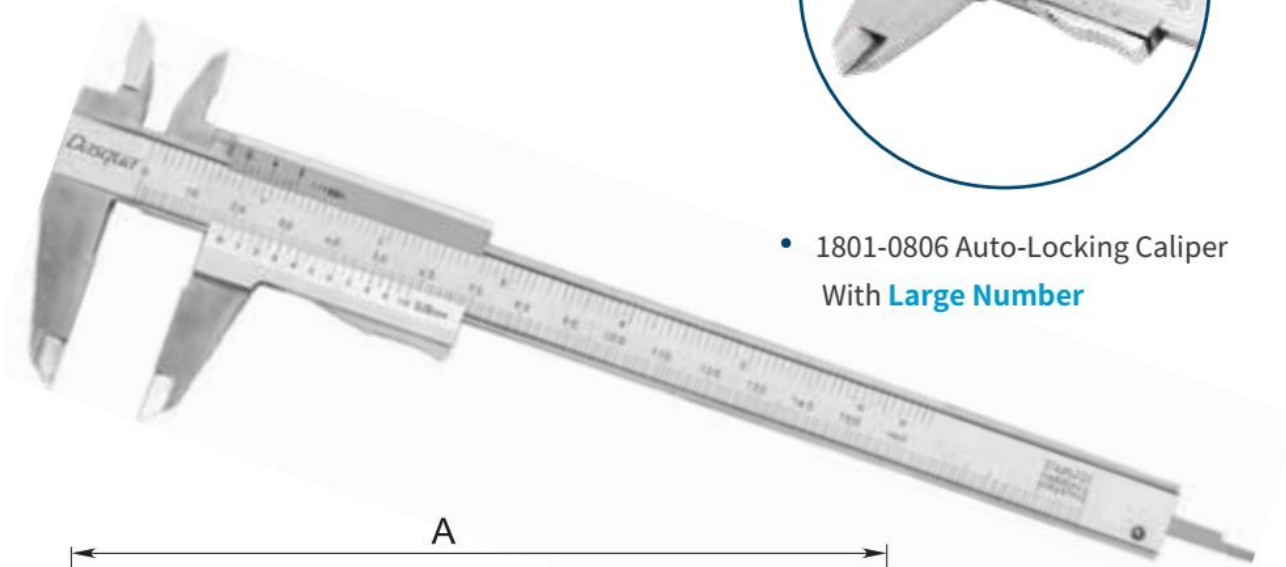
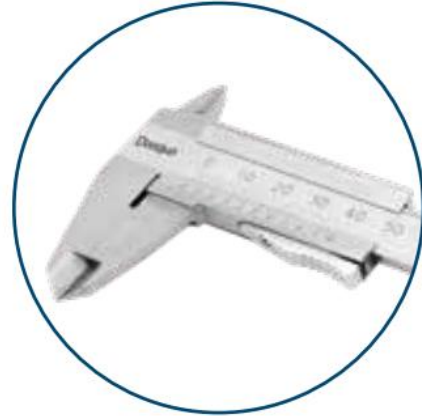


03

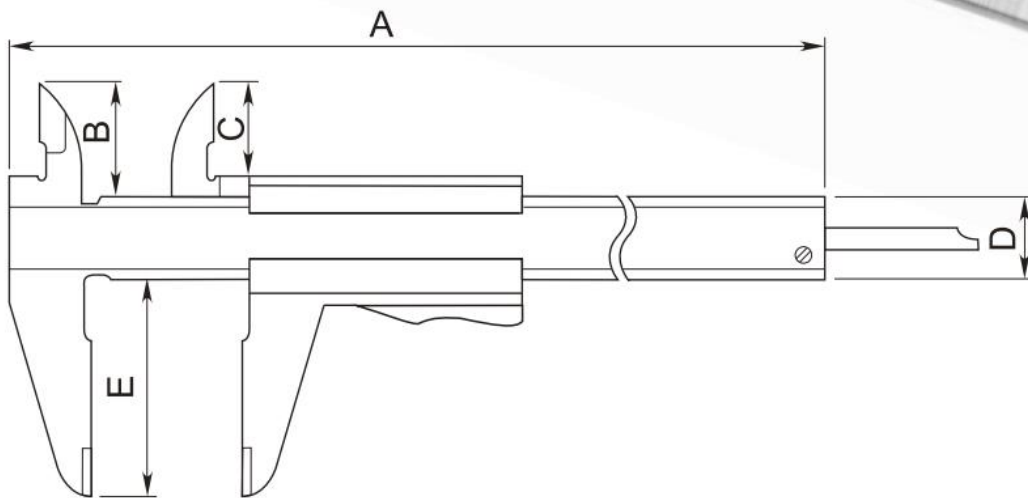


04

**DIN
862**



- 1801-0806 Auto-Locking Caliper With **Large Number**



- The whole blade of the beam is vacuum hardened with uniform hardness, guaranteeing wear-resistance and longer service life



- The upper and lower parts of the ruler are precisely ground to ensure smooth use
- Strictly in accordance with DIN862 standard



- Made of high quality stainless steel

Unit:mm

Code	Range	Graduation	A	B	C	D	E	Accuracy
1801-0810	0-150/0-6"	0.05/1/128"	235	21	16.5	16	40	0.05
1801-0809	0-150/0-6"	0.02/0.001"	235	21	16.5	16	40	0.03
1801-0806	0-150	0.05	235	21	16.5	16	40	0.05