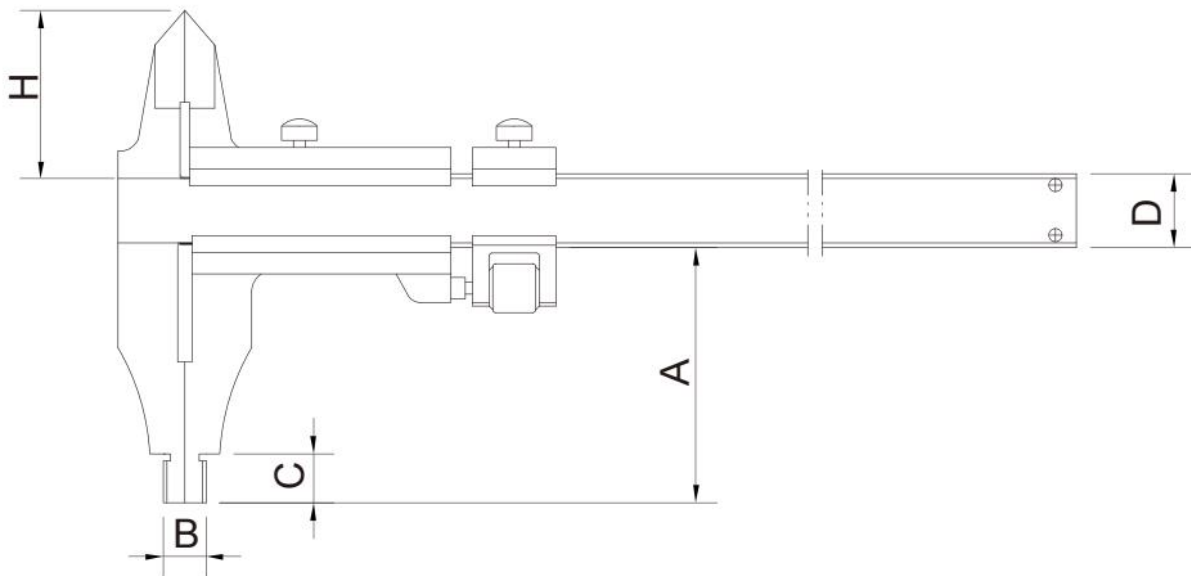





MONOBLOCK VERNIER CALIPER

WITH NIB STYLE & STANDARD JAWS



-  • With fine adjustment
-  • Hardened ground jaws with precision lapped measuring faces
-  • Satin chrome finish, hardened stainless steel throughout for longer life
- Distinct lines and figures etched against satin chrome finish

Unit:mm

Code	Range	Graduation	A	B	C	D	H	Accuracy
1305-0001	0-300/0-12"	0.02/0.001"	60	10	10	17	36.5	±0.04
1305-0002	0-500/0-20"	0.02/0.001"	100	10	12	25	55	±0.05
1305-0003	0-600/0-24"	0.02/0.001"	100	10	12	25	55	±0.05
1305-0004	0-1000/0-40"	0.02/0.001"	125	20	18	32	64	±0.07